

Datasheet

# Tezla UGR19 & TP(a) LED Panel



The Tezla PNL range of LED panel lights are an ideal solution for lighting needs in a multitude of situations ranging from entrance ways to office areas or open spaces. With a neat white trim, these panels are ideal for recessing into suspended ceilings, but using the surface frame, they can also be surface mounted onto any solid ceiling. The Tezla PNL range are all supplied with a UGR19 rating as standard, and are also Tp(a) rated. Adding in the 5 year warranty and 120lm/W output, these panels are one of the best available on the market.

LED panels are an ideal replacement for old fluorescent fittings, offering a better light while also saving money with reduced energy consumption.

### PNL66LED

595 X 595 LED Panel

36W

Edge Lit LED Panel

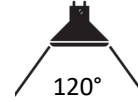
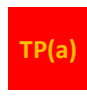


Dimensions:

Length: 595mm

Width: 595mm

Depth: 30mm



Efficiency - 120+  
Lumen per Watt

Voltage	Frequency	Working Temperature	Lifetime	Guarantee	Driver
220 - 240V - AC	50/60 Hz	-20° to +40°C	50,000 Hours	5 Years	Philips Flicker Free Isolated

### PNL123LED

1195 X 295 LED Panel

36W

Edge Lit LED Panel

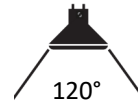
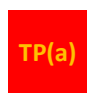


Dimensions:

Length: 1195mm

Width: 295mm

Height: 30mm



Efficiency - 120+  
Lumen per Watt

Voltage	Frequency	Working Temperature	Lifetime	Guarantee	Driver
220 - 240V - AC	50/60 Hz	-20° to +40°C	35,000 Hours	5 Years	Philips Flicker Free Isolated

### PNL126LED

1195 X 595 LED Panel

72W

Backlite LED Panel

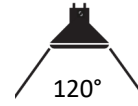
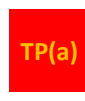


Dimensions:

Length: 1195mm

Width: 595mm

Height: 30mm



Efficiency - 120+  
Lumen per Watt

Voltage	Frequency	Working Temperature	Lifetime	Guarantee	Driver
220 - 240V - AC	50/60 Hz	-20° to +40°C	35,000 Hours	5 Years	Philips Flicker Free Isolated

### PNL66FRAME

600 x 600 Surface  
mounting Frame



### PNLSUS

Suspension set for LED  
Panels

### PNL126FRAME

1200 x 600 Surface  
mounting Frame



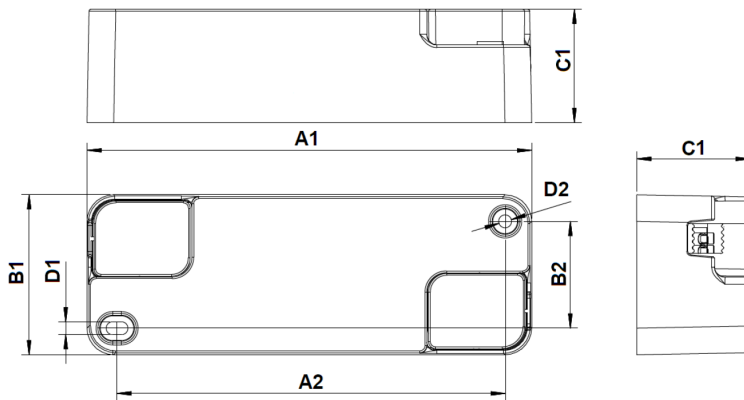
### PNL123FRAME

1200 x 300 Surface  
mounting Frame



### PNLSTD-UGR

Philips Flicker Free LED Driver  
for Tezla UGR19 LED Panels



Item	Value	Unit
Length (A1)	125	mm
Width (B1)	45	mm
Width (B2)	30	mm
Height (C1)	31.8	mm
Fixing hole diameter (D1)	3.5	mm
Mounting hole diameter (D2)	3.5	mm
Fixing hole distance (A2)	109	mm
Weight	110	Gram

Item	Value	Unit
Regulation Method	Constant Current	
Output Voltage	30 ... 42	V <sub>dc</sub>
Output Voltage Max	60	V
Output Current	0.9 / 1.05	A
Output Current Tolerance	±8	%
Output Current Ripple LF	≤ 4	%
Output Current Ripple HF	≤ 15	%
Output Power	27 ... 44	W

- Open load Protection
- Short circuit Protection
- Over power Protection
- Suitable for fixtures of Class II

### PNL-TRIAC

BOKE Leading/Trailing Edge  
Dimmable Driver for Tezla  
UGR19 LED Panels



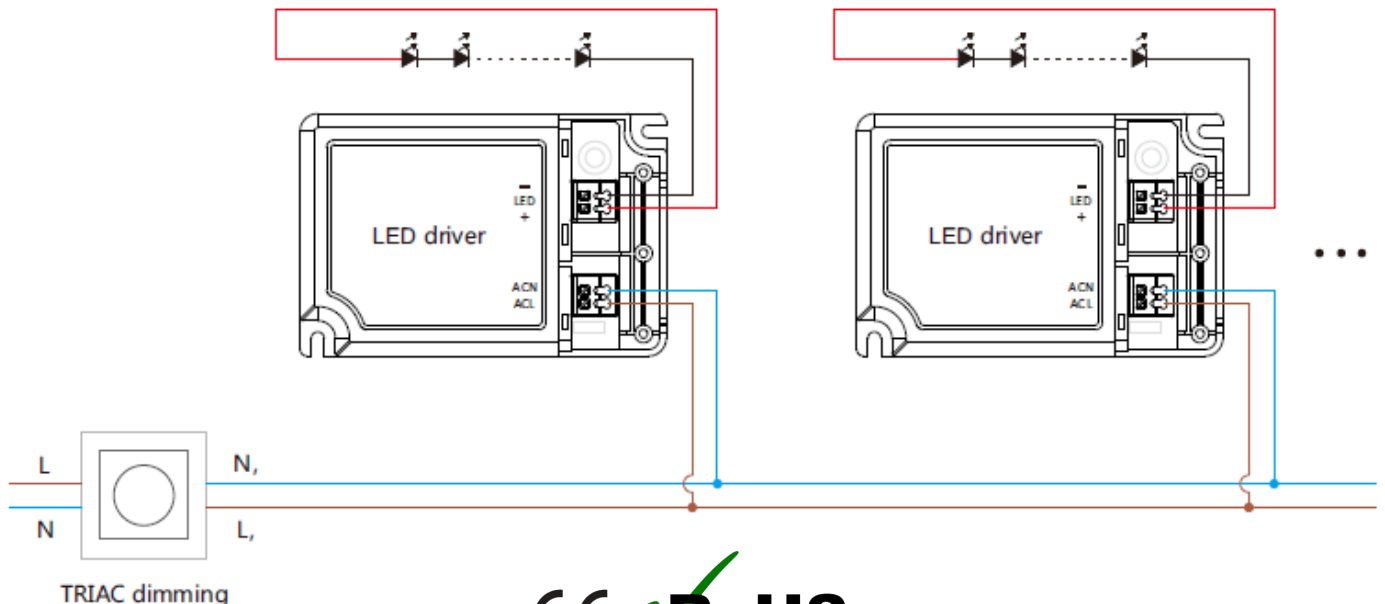
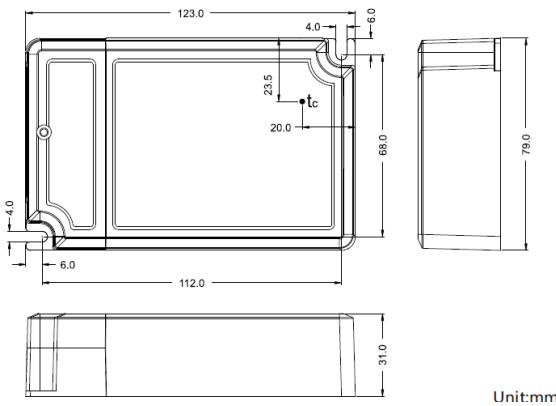
**BOKE** Dimmable Constant Current LED Driver  
**MODEL: BK-BTL044-1100AT**  
 INPUT: 200-240V ~ 50/60Hz 0.6A Max  $\lambda=0.95$   
 OUTPUT: 26-40V = 1100mA 44W Max  $U_o: 50VDC$  Max

•tc  
 $t_a=45^{\circ}C$   
 $t_c=85^{\circ}C$

SEC wire prep.  
 0.5-1.5mm<sup>2</sup>  
 7-8mm  
 PFI wire prep.  
 0.75 mm<sup>2</sup>

Dimmable with trailing/leading-edge dimmers  
 MADE IN CHINA For LED Modules use only

Item	Value	Unit
Output Voltage	26—36	V <sub>dc</sub>
Output Current	1.2	A
Output Power Max	43.2	W
Voltage Ripple	≤200	mV
Current Ripple	≤30	mA
Constant Current Accuracy	±5	%
Line Regulation	±5	%
Load Regulation	±5	%



### PNL1-10V

#### BOKE 1-10V Dimmable Driver for Tezla UGR19 LED Panels



**E-OKE** www.boke-driver.com  
Dimmable Constant Current LED Driver  
MODEL: BK-KUL040-1050Am

■ **ACL/DC+** INPUT: 200-240V ~ 0.50/60Hz 0.24A Max  $\lambda$ :0.95  
■ **ACN/DC-** OUTPUT: 24-38V = 1050mA 39.9W 50VDC Max.  
Other ratings see below sheet

wire prep. For LED Modules use only  
0.75-1.5mm<sup>2</sup> For Australia and New Zealand, the marking label with  
Preparation for input and output  
8-9mm

MADE IN CHINA

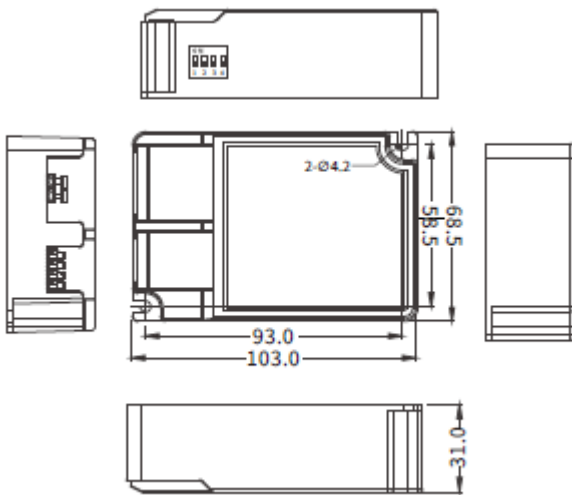
Pin(w)	Output		Switch			
	TPP	TPP	1	2	3	4
28.8	25.2	600	24-42	ON	ON	ON
31.5	27.3	650	24-42	ON	ON	ON
33.5	29.4	700	24-42	ON	ON	ON
35.8	31.5	750	24-42	ON	ON	ON
38.2	33.6	800	24-42	ON	ON	ON
40.5	35.7	850	24-42	ON	ON	ON
43.0	37.8	900	24-42	ON	ON	ON
45.3	39.9	950	24-42	ON	ON	ON
45.4	40.0	1000	24-40	ON	ON	ON
45.4	39.9	1050	24-38	ON	ON	ON

Before use, always check dipswitch settings!

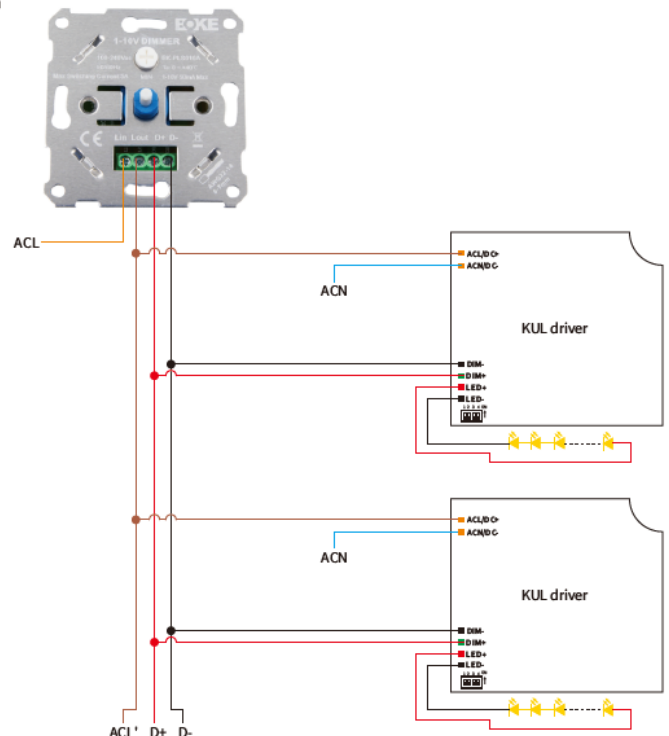
Top view  
tc: 90°C  
ta: 45°C

1 2 3 4 ON

Item	Value	Unit
Output Voltage	40	V <sub>dc</sub>
Output Current	1.2—1.65	A
Output Power Max	62.7	W
Dimming Range	5—100	%
Output Current Ripple LF	±2	%
Output Current Accuracy	±5	%
Linear Regulation	±5	%
Load Regulation	±5	%



Wiring diagram





MEETING YOUR ELECTRICAL NEEDS FOR GENERATIONS

# Tezla PNL Range Specification Sheet

## PNLDALI

### BOKE DALI Dimmable Driver



**ACL/DC+** **EKOKE** www.bokedriver.com  
**ACN/DC-** **Dimmable Constant Current LED Driver**  
**MODEL: BK-DEL042-1100Ad**  
 INPUT: 200-240V  $\approx$  0/50/60Hz 0.25A Max  $\lambda$ :0.95  
 OUTPUT: 6-38V  $\approx$  1100mA 41.8W 50VDC Max.  
 Other ratings see below sheet  
 Do not energize the driver before connecting the LED.

**DA** pushDIM L N DA DALI  
**DA**

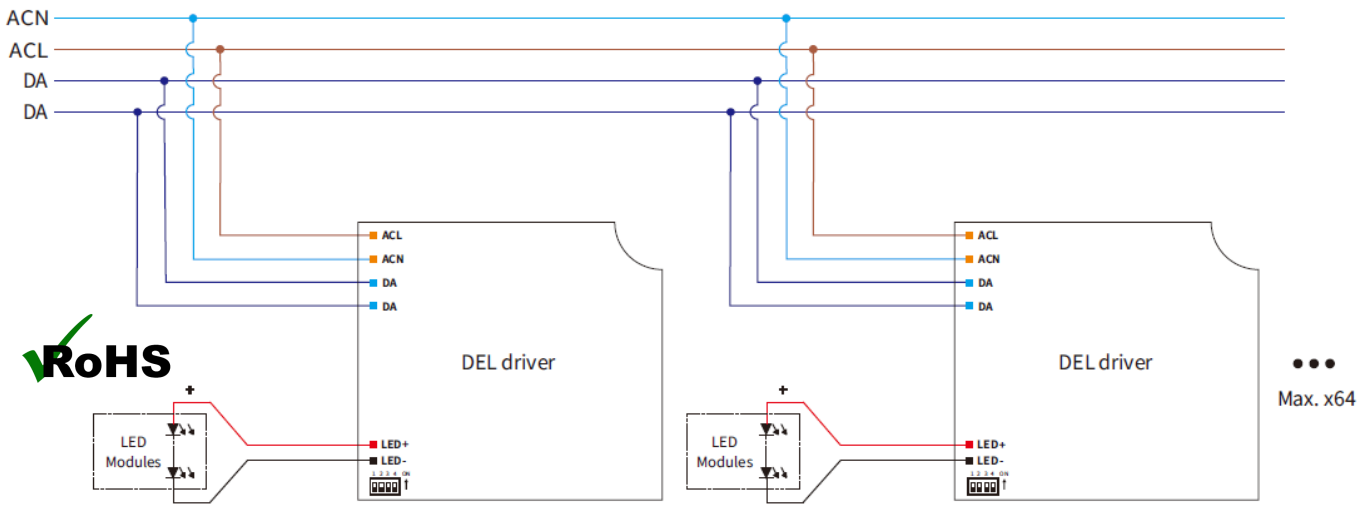
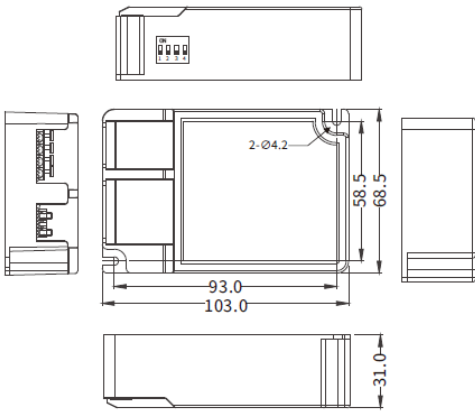
wire prep. 0.75-1.5mm<sup>2</sup>  
 Preparation for input and output: 8-9mm  
**LED+**  
**LED-** **MADE IN CHINA**

Pin(w) typ.	Rated(w)	Output (rated)(mA)	Voltage(Vdc)	Switching selection sheet			
				1	2	3	4
21.4	18.90	450	6-42	ON	ON	ON	ON
22.5	19.95	475	6-42	-	ON	ON	ON
23.6	21.00	500	6-42	ON	-	ON	ON
24.8	22.05	525	6-42	-	ON	ON	ON
25.9	23.10	550	6-42	ON	ON	-	ON
28.2	25.20	600	6-42	-	ON	ON	ON
30.6	27.30	650	6-42	ON	-	-	ON
32.9	29.40	700	6-42	-	ON	-	ON
35.2	31.50	750	6-42	ON	ON	ON	-
37.6	33.60	800	6-42	-	ON	ON	-
39.9	35.70	850	6-42	ON	-	ON	-
42.3	37.80	900	6-42	-	ON	ON	-
44.7	39.90	950	6-42	ON	ON	-	-
47.1	42.00	1000	6-42	-	ON	-	-
47.3	42.00	1050	6-40	ON	-	-	-
47.3	41.80	1100	6-38	-	-	-	-

For Australia and New Zealand, the marking label with " " Top view  
 For LED Modules use only

tc:90°C  
 ta:45°C

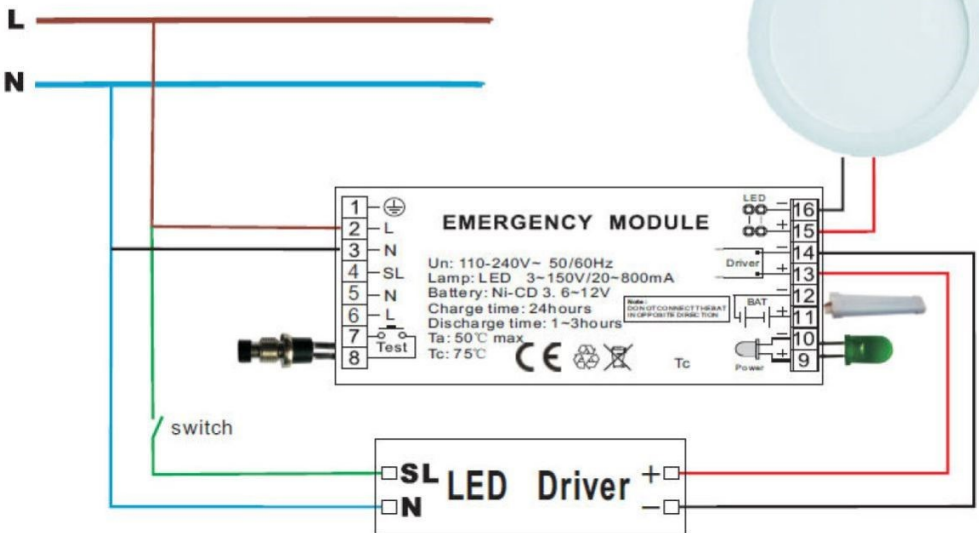
Item	Value	Unit
Regulation Method	Constant Current	
Rated output current range	0.25—0.8	A
Rated output voltage range	6—40	V <sub>dc</sub>
Rated output power	30.4	W
Output current adjustment	DIP S.W (16 levels)	
Current Ripple LF	±2	%
Output current accuracy	±2	%
Linear regulation	±1	%
Load Regulation	±1	%
No load output voltage	50	V <sub>dc</sub>



Max. x64

### PNL-EMER

Tezla 3 Hour Emergency Pack  
for Tezla UGR19 LED Panels



Inner Housing Material	Fire Retardant White Plastic	Battery Capacity	NI-CD12V 1.0AH
Charging Power	AC110V - AC265V, 50/60Hz	Operating Temperature	-20°C t0 +70°C
Charging Time	24 Hours	Connection Type	Push Connectors
Discharge Time	> 3 Hours	Inverter Dimensions	155 X 40 X 30mm
Switch Over Time	< 0.5 Seconds	Battery Dimensions	140 X 52 X 15mm
Emergency Output Current	80mA	Case Dimensions	200 X 100 X 33mm
Emergency Output Voltage	DC 47V	Product Weight	300 Grams

**Caution:**

- Battery needs to be fully charged & discharged 3—5 times to operate at full capacity
- Do not leave battery discharged for longer than 3 months as it may damage the battery
- Batteries should be replaced every 3 years