

NEW

Lo-Watt Pivotal

Positive Input Ventilation Unit

Specialist Range



MANPIV



The Lo-Watt Pivotal Positive Input Ventilation (PIV) unit has been designed to prevent and treat condensation and mould quickly. It is perfect for refurbished properties thanks to it being easy to fit for installers and discreet for homeowners.

The Lo-Watt Pivotal offers a quick and simple solution. A loft-mounted positive input fan draws fresh air from the loft, filters it and gently feeds it into the dwelling via a ceiling-mounted diffuser. Clean, fresh filtered air with a lower moisture content dilutes, displaces and replaces contaminated and moisture-laden air.

- Fully adjustable between 19l/s - 49l/s
- Low running costs
- Low sound level
- Complete with ceiling diffuser, flexible duct and G4 filters
- IPX2 rated
- Easy to install and commission

This product is made using recycled material therefore, the colour of the plastic may vary.

Installation

The Lo-Watt Pivotal can be installed quickly in any sized loft. The easy carry handle incorporated into the body makes carrying the unit easy and safe; especially useful when lifting the unit through loft hatches. The unit comes with a hanging kit and floor mounting base as standard.

The unit is supplied with a diffuser to be installed in a central location within the property e.g. in the main hallway of a bungalow or in the landing in a conventional property.

The unit is easily set to the appropriate speed at installation based on the size of the property. Natural leakage points that are present in all properties, as well as purpose provided exhaust points, enhance the air change. En-suites and utility areas should be serviced by continuous mechanical extract ventilation.

The Lo-Watt Pivotal can also be set to 'Radon' mode in properties that are affected by high radon gas levels. The unit will run continuously to ensure a constant supply of good indoor air to protect residents from harmful gases.

With a lightweight construction, the Lo-Watt Pivotal features a specially developed Lo-Watt DC fan/motor arrangement which runs quietly and delivers incredibly low running costs. The Lo-Watt Pivotal uses a sensor to monitor the temperature in the loft, automatically adjusting the air volume when necessary. Additionally, resident comfort can be assured through an option to change the temperature at which the unit increases or decreases airflow.



Filter

The Lo-Watt Pivotal is supplied with G4 filters (PM10 filtration) that are up to 5 years maintenance free. G4 filters help protect against many everyday pollutants such as pollen and dust.

Speed Control

Speed selection is easy. Once the house size is selected based on the number of bedrooms, the Lo-Watt Pivotal automatically selects the correct 'Trickle' and 'Energy Recovery' speeds. The speed can also be adjusted manually if needed and the control interface can be locked to ensure the settings are not tampered with.

Heater

The MANPIVH comes with a heater fitted to the unit, this helps remove cold air entering the property. The controls allow the Lo-Watt Pivotal with 500W heater to be adjusted making it adaptable for different lifestyles.

Mounting Options

The Lo-Watt Pivotal comes as standard with both a hanging kit and floor mounting base for quick and easy installation.

Motor

The electronically controlled Lo-Watt DC motor is manufactured with long-life ball bearings and is fitted with Standard Thermal Overload Protection (S.T.O.P.). Suitable for ambient operating temperatures of -25°C to +40°C.

Discreet Diffuser

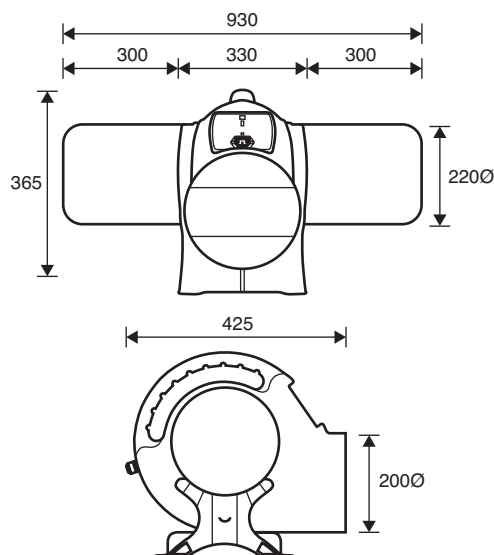
The white circular diffuser is easily installed and fitted. Easy fix features allow for installation against uneven ceiling surfaces with no gaps. The diffuser design reduces air supply noise while increasing performance by 10%. The easy clip blanking plates help to control airflow into the property.

Technical Details

All models come with G4 filters, 2m of flexi duct, Ø200mm diffuser and 2.5m wire power cable.

Cat. No.	Product type
MANPIV	Lo-Watt Pivotal
MANPIVH	Lo-Watt Pivotal with 500W Heater
MANPIVG4	Replacement G4 Filter Set

Dimensions



Performance

Bedroom	Trickle Mode		Energy Recovery Mode	
	Flow Rate l/s	Power W	Flow Rate l/s	Power W
1	19	3.1	29	5.1
2	25	4.3	37	7.6
3	31	6.0	46	12.0
4	37	8.0	49	13.1
Adjustable	19-48	-	20-49	-

The unit will continuously ventilate silently in the background whilst in 'Trickle' mode. Once the unit automatically senses excess heat being lost into the loft the airflow will increase to 'Energy Recovery' mode to recover heat that would otherwise be lost through the roof.

During summer months should the loft exceed 27°C (adjustable) the unit will enter 'Standby' mode in order to stop the circulation of warm air allowing for a more comfortable living environment. The Lo-Watt Pivotal with 500W Heater automatically turns on the heater to warm up the fresh incoming air.