

Datasheet

Sunbeam Hand Dryer's



The Sunbeam Range of Hand Dryer's are a great solution and finish for your bathroom. These hand dryers are all high speed automatic models supplied in satin chrome. The new energy efficient high speed motor allows for a quicker drying time to help reduce energy usage. The sleek design of both models means which ever unit you choose will look well while also being functional

Sunbeam 1000W High Powered Hand Dryer Satin Chrome

Description:

Reference	HDR77SC
Finish	Matt Stainless Steel
Warranty	2 Year
Activation	Automatic Sensor

Electrical Specification:

Voltage	220/240V
Frequency	50/60Hz
Motor Type	Brush Motor
RPM of Motor	32,000 RPM
Power Output	1000W
Motor Power	600W
Air Temperature	40°C
Amps	5.5A
Sensor	5 – 15cm
Drying Time	10 – 12 Seconds
Airspeed	100m/s
Airflow	130M ³ /H
Filter	Included Inside
Noise Level	74dB at 1 Meter



Energy Efficient

High Performance

Quiet

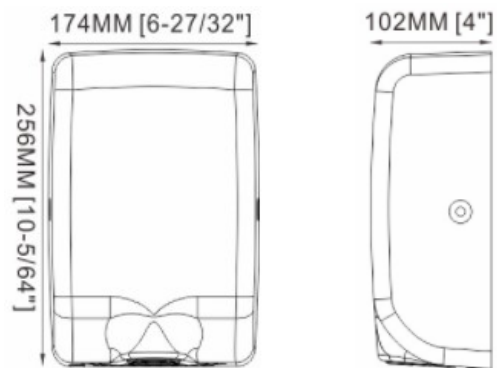
Cost Saving

Safety Aspects:

IP Rating	IP23
Electric Isolation	Class 1
Approval	CE Standard
Time Protection	60 Seconds
Heating Temperature	< 105°
Motor Temperature	< 48°
Air Temperature	40°

Dimensions:

Width	174mm
Depth	102mm
Height	256mm
Weight	2.5KG



Automatic hands ON/OFF by infrared sensor



32,000RPM Brush motor
100 Meter/seconds airflow
10- 12 Seconds drying time



Coarse particulate filter at air inlet



Forced Hold-On 60 seconds auto shut-off



Optional Bacterial free UVC LED lamp



Externally visible service blue LED guides hands to air flow



Easy maintenance
Easy wall surface mounted
Anti-theft lockable



Cover right grounding



Optional ON/OFF heat element switch



4" [102 MM] depth ADA-compliant



Dual protection heater by Thermostat & Thermal Cutoff



4" [102 MM] depth Behind mirror hand dryer



Fireproof key plastic parts & stainless steel cover



Convenient plug in feature
Optional hardwire installation



MEETING YOUR ELECTRICAL NEEDS FOR GENERATIONS

Sunbeam 1800W High Powered Hand Dryer

Satin Chrome

Sunbeam Hand Dryer Range Specification Sheet

Description:

Reference	HDR99SC
Finish	Matt Stainless Steel
Warranty	2 Year
Activation	Automatic Sensor

Electrical Specification:

Voltage	220/240V
Frequency	50/60Hz
Motor Type	Brush Motor
RPM of Motor	22,000 RPM
Power Output	1800W
Motor Power	550W
Air Temperature	40°C
Amps	7.8A
Sensor	5 – 15cm
Drying Time	8 – 10 Seconds
Airspeed	100m/s
Airflow	140M ³ /H
Filter	Included Inside
Noise Level	74dB at 1 Meter



Energy Efficient

High Performance

Quiet

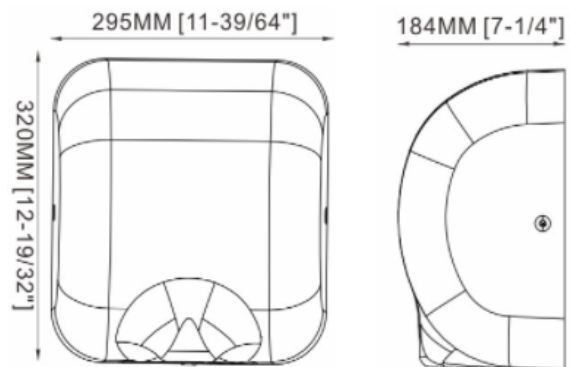
Cost Saving

Safety Aspects:

IP Rating	IP23
Electronic Isolation	Class 1
Approval	CE Standard
Time Protection	60 Seconds
Heating Temperature	< 105°
Motor Temperature	< 50°
Air Temperature	45°

Dimensions:

Width	29mm
Depth	184mm



Automatic hands ON/OFF by infrared sensor



22,000RPM Brush motor 8 - 10 Seconds drying time



Optional HEPA & coarse particulate filter at air inlet



Forced Hold-On 60 seconds auto shut-off



Optional Speed & sound control



Externally visible service blue LED guides hands to air flow



Easy maintenance Easy wall surface mounted Anti-theft lockable



Metal Cover right grounding [earthing]



Optional ON/OFF heat element switch



Silentblock in the base to cushion



Dual protection heater by Thermostat & Thermal Cutoff



Optional intelligent heater off if ambient temperature is



Fireproof key plastic parts & stainless steel cover



Convenient plug in feature Optional hardwire installation





MEETING YOUR ELECTRICAL NEEDS FOR GENERATIONS

Sunbeam Hand Dryer Range Specification Sheet

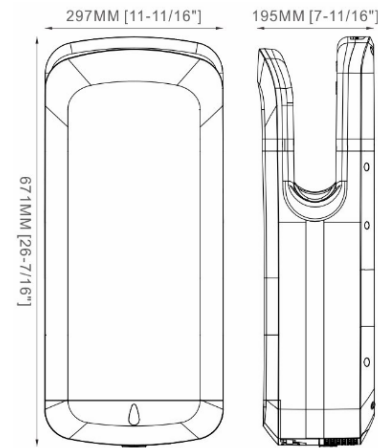
Sunbeam 1650W High Powered Blade Hand Dryer Satin Chrome

Description:

Reference	HDR-BLADE
Finish	Matt Stainless Steel
Warranty	2 Year
Activation	Automatic Sensor

Electrical Specification:

Voltage	220/240V
Frequency	50/60Hz
Motor Type	Brush Motor
RPM of Motor	30,000 RPM
Power Output	1650W
Motor Power	1250W
Air Temperature	40°C
Amps	7A
Drying Time	7 – 9 Seconds
Airspeed	150m/s
Airflow	120M ³ /H
Filter	HEPA & Coarse Particle Filter
Noise Level	70dB at 1 Meter

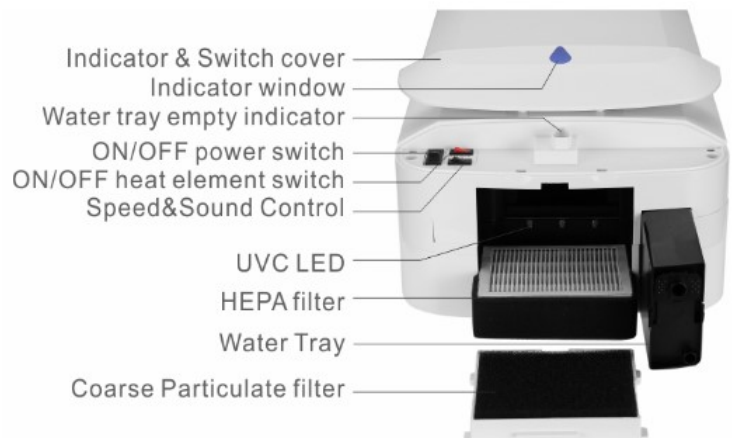


Safety Aspects:

IP Rating	IP23
Electric Isolation	Class II
Approval	CE Standard
Time Protection	60 Seconds
Heating Temperature	< 105°
Motor Temperature	< 48°
Air Temperature	40°

Dimensions:

Width	297mm
Depth	195mm
Height	671mm
Weight	8.8KG



Automatic hands ON/OFF by infrared sensor



30,000RPM Brush motor
7 - 9 Seconds drying time



HEPA & coarse particulate filter at air inlet



Bacterial free UVC LED lamp after HEPA filter



Speed & sound control



Externally visible service blue LED guides hands to air flow



Sight indicator shows water tank empty required



ON/OFF hand dryer power switch



Optional ON/OFF heat element switch



Water tank bottom has overflow pipe connector



Dual protection heater by Thermostat & Thermal Cutoff



Optional intelligent heater off if ambient temperature is more than 25°C [77°F]



Friendly drying indicator 25 Seconds auto shut off



Convenient plug in feature Optional hardwire installation

