

Datasheet

Plymouth PVC Distribution Boards



The Plymouth PVC Distribution Boards are surface mounted PVC boards, available with or without a vertical opening door. They are available in IP40 without door or in IP65 with the door. The boards are supplied with all accessories necessary for your connections such as DIN rail and earth bars. All come with knockouts for easy install.

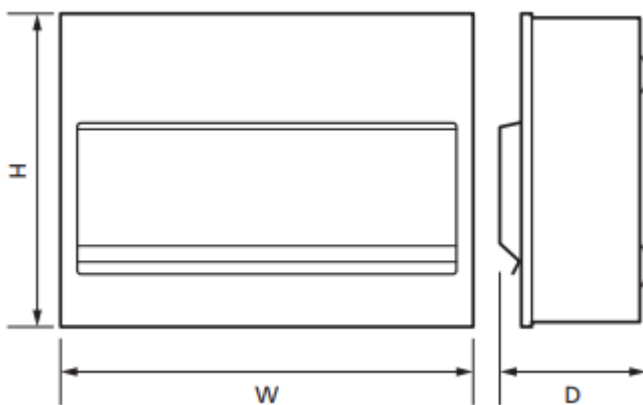
Plymouth IP40 PVC Distribution Boards

Features:

- Rated IP40
- Supplied with no door
- Surface mounted
- Includes Din rail
- Includes Earth & Neutral Bars where applicable
- ABS Body



	CT2	CT4	CT6T	CT8T
No Rows	1	1	1	2
Modules per Row	2	4	6	8
Total Modules	2	4	6	8
Din Rail & Fillers	Yes	Yes	Yes	Yes
Earth Bar	No	No	3 + 3	3 + 3
Weight	80g	121g	182g	225g



	H	W	D
CT2	130	52	60
CT4	130	87	60
CT6T	123	158	65
CT8T	160	160	65

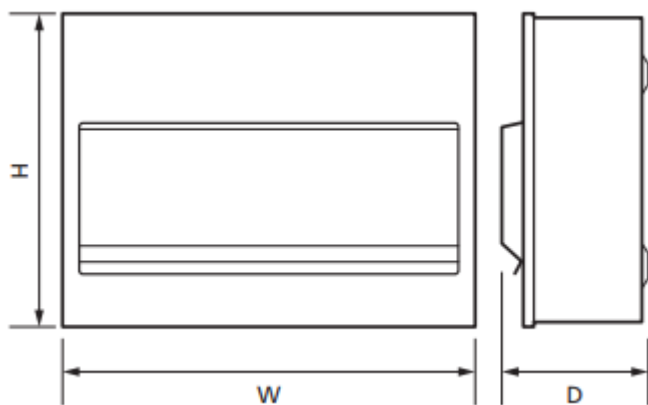
Plymouth IP65 PVC Distribution Boards

Features:

- Rated IP65
- Supplied with vertical opening transparent door
- Surface mounted
- Includes Din rail
- Includes Earth & Neutral Bars where applicable
- ABS Body



	CT2G	CT5GT	CT8GT	CT12GT	CT15GT	CT18GT	CT24GT	CT36GT
No Rows	1	1	1	1	1	1	2	2
Modules per Row	2	5	8	12	15	18	12	12
Total Modules	2	5	8	12	15	18	24	36
Din Rail & Fillers	Yes	Yes	Yes	Yes	Yes	Yes	Yes	Yes
Earth Bar	No	3 + 3	5 + 4	8 + 5	8 + 6	8 + 8	8 + 5	9 + 9
Weight	140g	305g	467g	830g	936g	1057g	1290g	1920g



	W	H	D
CT2G	55	119	90
CT5GT	119	159	90
CT8GT	201	155	90
CT12GT	255	198	108
CT15GT	309	198	108
CT18GT	363	198	108
CT24GT	360	280	108
CT36GT	380	380	115